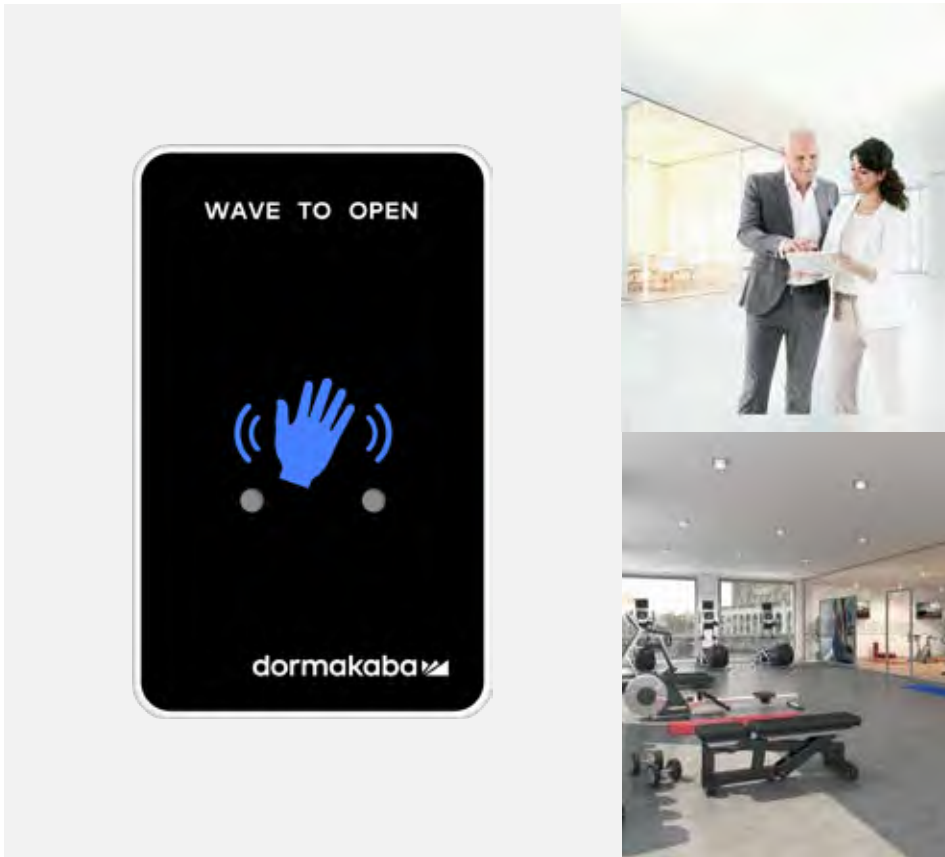


RCI 910TC

Touchless Actuator



Features and benefits:

- Aesthetically pleasing design
- Adjustable detection zone to reduce unwanted activations
- Option to disable audible indicator
- Secondary Normally Open (NO) mechanical switch in the event of a power loss
- Selectable unlock times (1-63 seconds)
- Available in standard size or narrow (mullion)
- Standard mounts to single-gang electrical box
- Faceplates available in black or stainless steel with 'waving hand' or 'wheelchair' icons
- Available remote control to trigger switch remotely
- Option to toggle momentary to maintained
- FCC & ISCED Certified

Touchless technology helps eliminate transmission of germs and harmful bacteria by removing touch points throughout a facility.

The RCI 910TC touchless actuator is designed to function in tandem with automatic operators. A simple hand gesture "wave" or use of a remote fob, the 910TC precipitates the activation of the door electronically by generating a signal to the automatic operator to begin its opening cycle. It allows a pedestrian to pass through the entry or exit without touching the door or any hardware on the door.

Touchless actuators are ADA compliant and are often installed in place of push buttons or plates. All you have to do is wave your hand in front of the plate to activate the sensor.

By minimizing touchpoints, the 910TC is ideal for use in healthcare facilities, restaurants, schools, offices and restrooms because it can make such an impact when it comes to keeping your facility clean and hygienic.

Accessories

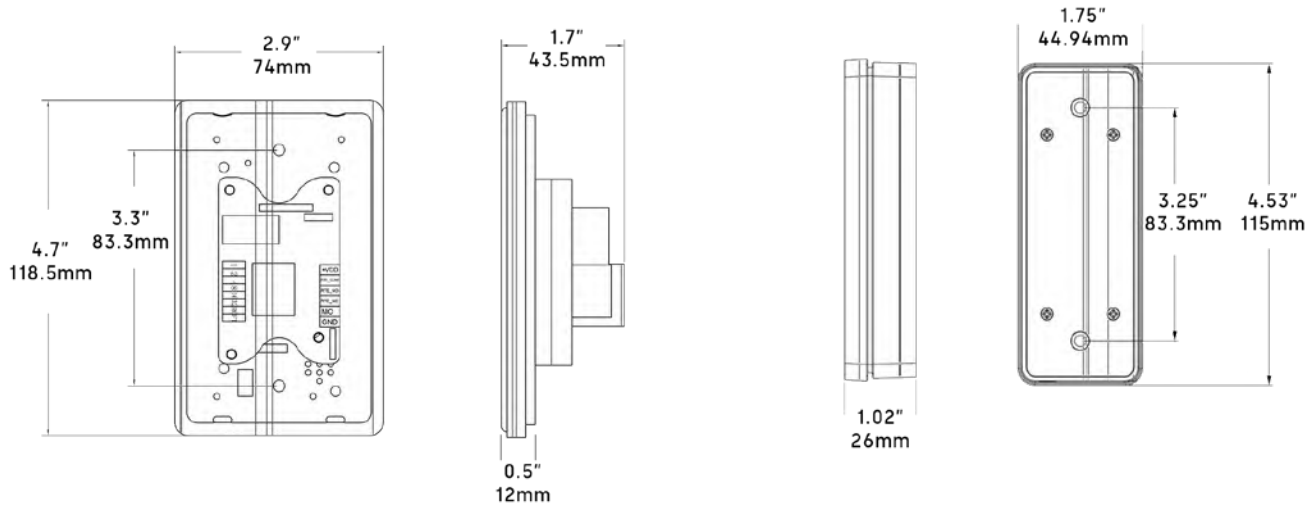


910TC-WRB
433MHz Remote
Transmitter



910TC-WRM
433MHz Remote
Receiver Module

Dimensions - Standard & Narrow (mullion)



Specifications

Technology Type	Capacitive sensing with infrared technology
Detection Mode	Proximity
Detection Zone	Maximum detection zone of up to 2" (50mm)
Current	50mA (typical)/ 115mA (activated) 115mA (narrow)
Voltage	12-24VDC
Temperature Range	-4° F to 140° F (-20°C to +60°C)
Relay	Form C SPDT 24VDC @ 100mA
Switch mode	Momentary
Toggle	Momentary/Maintained option
Certification & Listings	Standard & narrow both FCC & ISED certified ADA compliant
Warranty	3 Years limited
Power	12 to 24 VDC 50/25 mA
Lock Mode	Momentary
Range	1" to 2" (30 to 50mm)

Standard Touch Free Actuators (single gang)

910TC	Waving hand
910TC-SS	Waving hand, stainless
910TC-HC	Wheelchair
910TC-HC-SS	Wheelchair, stainless

Narrow Touch Free Actuators (mullion)

910NTC	Narrow, waving hand
910NTC-SS	Narrow, waving hand, stainless
910NTC-HC	Narrow, wheelchair
910NTC-HC-SS	Narrow, wheelchair, stainless

Touch Free Actuator Kits (includes remote + transmitter)

910NTC-REM	Narrow, waving hand + receiver & transmitter
910NTC-SS-REM	Narrow, stainless + receiver & transmitter
910NTC-HC-REM	Narrow, wheelchair + receiver & transmitter
910NTC-HC-SS-REM	Narrow, wheelchair, stainless + receiver & transmitter.
910TC-REM	Waving hand + receiver & transmitter
910TC-SS-REM	Stainless + receiver & transmitter
910TC-HC-REM	Wheelchair + receiver & transmitter
910TC-HC-SS-REM	Wheelchair, stainless + receiver & transmitter

Transmitter and Receivers

910NTC-WRM	910NTC Narrow Receiver
910TC-WRB	910TC Transmitter

© 2024 dormakaba Canada, Inc. Information on this sheet is intended for general use only.

Any questions? We would be happy to advise you.

Contact us at: 1-888 539-7226